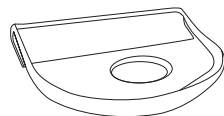


LEVOLOR®

Cellular Shades Persianas celulares Toiles alvéolées

INSTALLATION • OPERATION • CARE
INSTALACIÓN • MANEJO • CUIDADO
INSTALLATION • UTILISATION • ENTRETIEN



Cordless Lift Control

Control de elevación sin cuerda
Commande de levage sans cordon

CONTENTS

Window and Shade Terminology

Mounting Types and Window Terminology	3
Lift Styles	4

Getting Started

Installation Overview	5
Components Included	6
Tools and Fasteners You May Need	7

Installation

Inside Mount	8–10
Outside Mount	11–13

Installation - Additional Components

Cordless Lift Handle(s)	14
Extension Brackets	15
Spacer Blocks.....	15
Hold-Down Brackets	15
Side Mount Brackets.....	15

Operation

Operating the Shade	16
---------------------------	----

Uninstalling

Removing the Shade	17
--------------------------	----

Cleaning and Care

Cleaning Procedures	18
---------------------------	----

Additional Information and Support

Troubleshooting.....	19
Warranty	19
Customer Service Support.....	19



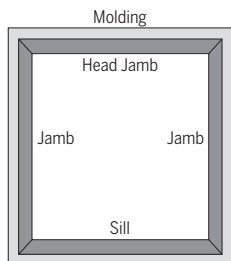
WARNING: Keep all small parts, components and packaging away from children as they pose a potential choking hazard which may result in serious injury or death. Please reference all warning tags and labels in the instructions and on the shade.

Canadian Residents Only: For more safety information: 1-866-662-0666 or visit www.canada.ca, search "blind cords".

WINDOW AND SHADE TERMINOLOGY

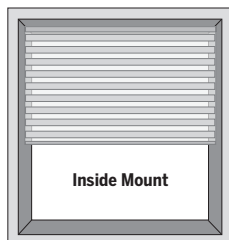
Thank you for purchasing LEVOLOR® Cellular Shades. With proper installation, operation, and care, your new cellular shade will provide years of beauty and performance. Please thoroughly review this instruction booklet before beginning installation.

MOUNTING TYPES AND WINDOW TERMINOLOGY



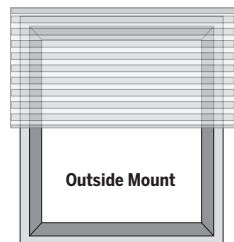
Window Components Terminology

- Collectively, the sill and jambs are called the "window casement" or "frame".



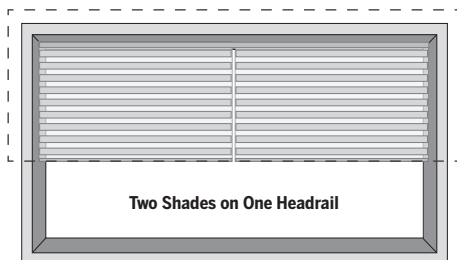
Inside Mount

- Shade fits within window opening.
- Great for windows with beautiful trim.



Outside Mount

- Shade mounts outside window opening.
- Increased light control and privacy.



Two Shades on One Headrail

- Provides the clean appearance of a single shade with the ability to operate each shade independently.
- Can be mounted inside or outside.

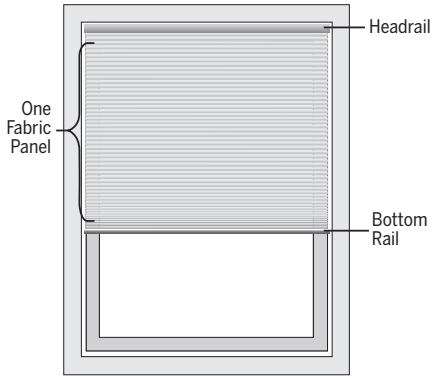
Side Mount—Not Illustrated

- Used primarily when conventional mounting will not work—for example, in an arched window opening.

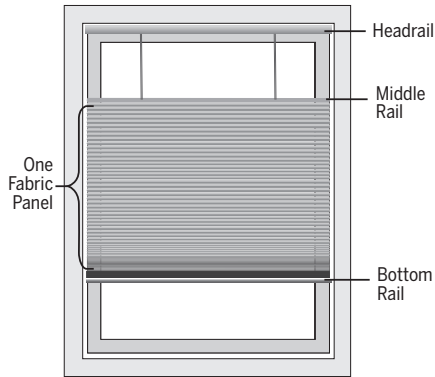
WINDOW AND SHADE TERMINOLOGY

LIFT STYLES

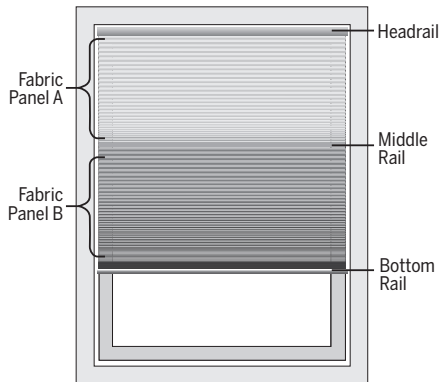
Bottom-Up Shade



Top-Down/Bottom-Up Shade



Day/Night Shade



INSTALLATION OVERVIEW

- Confirm that the headrail and shade are the proper width and length.
- If installing several sets of shades, be sure to match them with the appropriate window.
- Check the installation surface to ensure you have suitable fasteners and tools.
- Lay out and organize all parts and components.
- Your order will include the correct number of installation brackets for your shade width, as shown in the table below.
- Shade orders may also include spacer blocks or extension brackets, if they were specified, for added clearance.
 - Extension brackets are also used for side mount shades.

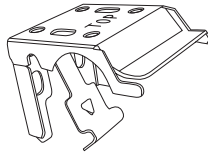
Installation Brackets		
Your order will include the correct number of installation brackets for your shade width, as shown in the table below.		
Shade Width (inches)	Number of Brackets per Shade	
	Cordless	Cordless 2-on-1 Headrail
Up to 38	2	2
38 to 68	3	3
68 to 82	3	3
82 to 106	4	4
106 to 130	4	4
130 and above	N/A	N/A

GETTING STARTED

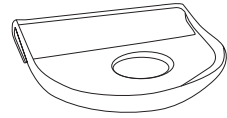
COMPONENTS INCLUDED



Cellular Shade



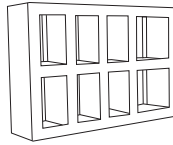
Mounting Bracket



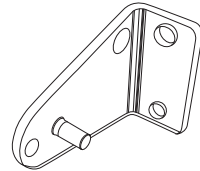
Cordless Handle



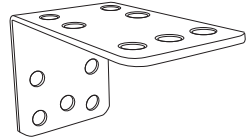
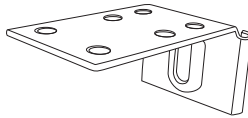
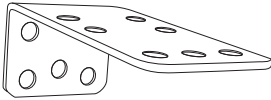
Hex Head Screws
(2 per Bracket)



Spacer Block
(optional)



Hold-Down Bracket
(optional)



Extension / Side Mount Brackets
(optional)

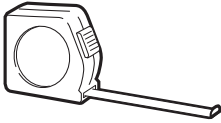
- Shade
- Mounting Brackets
- Installation Hardware
- Other accessories (optional)

Optional items will be included, if selected at time of shade order.

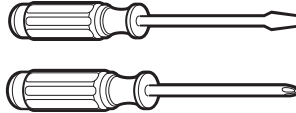
TOOLS AND FASTENERS YOU MAY NEED (not included)

The tools you will need for installing your shade will vary, depending on the installation surface, and mounting bracket type.

Tools typically used for installation include:



Metal Tape Measure



Screwdrivers
(both flat and Phillips head)



1/4" Nutdriver



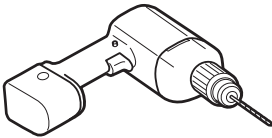
Safety Glasses



Drywall Anchors



Pencil



Drill with Bits



Level



Ladder

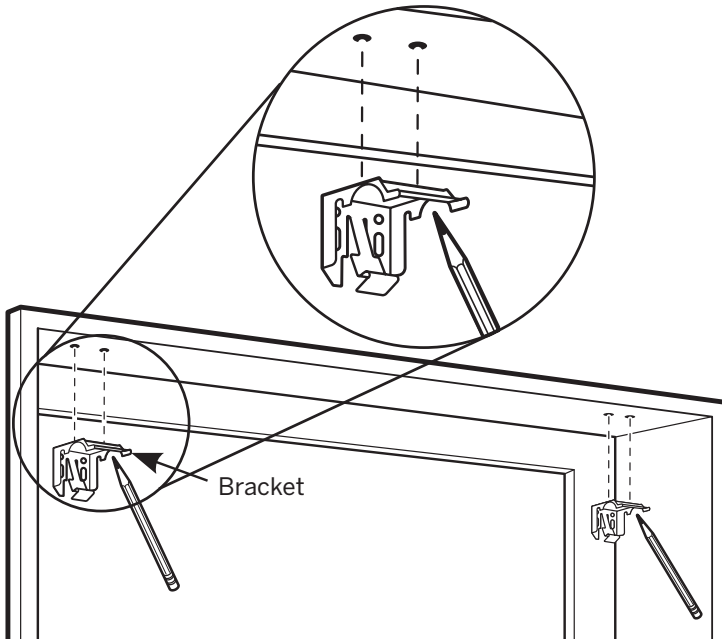
Note: Longer Screws may be needed with extension brackets and spacers, not shown.



CAUTION: Use drywall anchors when mounting into drywall. (Not provided.) Failure to properly anchor shade could cause shade to fall possibly resulting in injury.

INSTALLATION

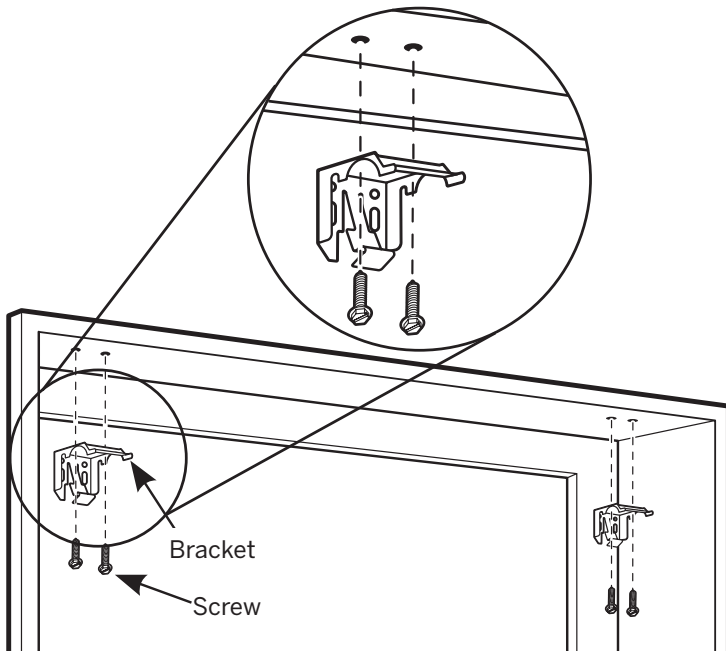
INSIDE MOUNT (IM)



STEP 1: MARKING THE BRACKET LOCATIONS

IMPORTANT: Before marking bracket locations, ensure that your bracket placement will not interfere with any components inside the headrail.

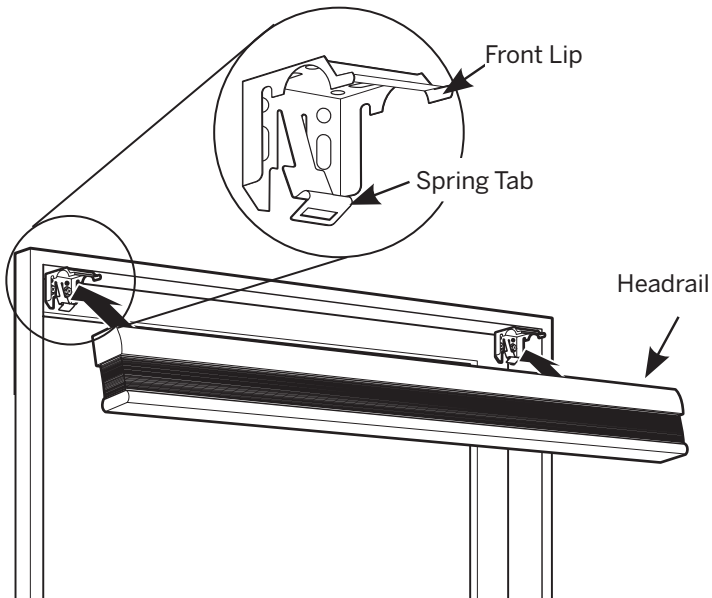
- Verify that your window casing has a minimum depth of $\frac{1}{2}$ " which allows for a partially recessed headrail mount.
- If flush mount (fully recessed mount) is desired, a minimum mounting depth of $2\frac{1}{8}$ " is required.
- Mark 1 - 2" from each jamb for bracket location.
- With a pencil, mark the longer, oblong drill hole locations through the top of the holes of the bracket, 2 holes per bracket.
- If more than two installation brackets come with your order, space additional bracket(s) evenly between the two end brackets, no more than 30" apart, and mark drill hole locations.

INSIDE MOUNT (IM)**STEP 2: INSTALLING THE BRACKETS**

- Pre-drill screw holes using a $\frac{1}{16}$ " drill bit (wood and metal mounting surfaces only) using pencil marks as a guide.
- Hold the bracket with the surface marked "Top" facing up. Line up the pre-drilled screw holes and the longer, oblong holes in the bracket.
- While holding the bracket in place, secure the bracket with screws, 2 screws per bracket.
- Repeat for each bracket.
- Ensure all brackets are square with each other.

INSTALLATION

INSIDE MOUNT (IM)

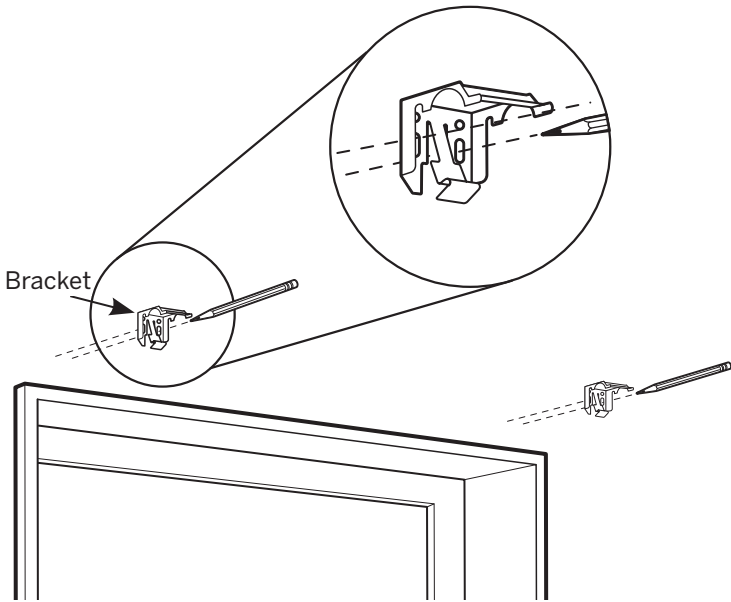


STEP 3: INSTALLING THE SHADE

- Hang the curved front side of the headrail on the front lip of the brackets.
- Rotate the headrail backwards toward the window until a snapping sound is heard. This will let you know the shade is engaged in the brackets.
- Repeat for each bracket.
- Install the included operating handle(s) (see additional instructions on page 14).



CAUTION: Be sure the bracket and headrail are properly secured before operating the shade. Failure to do so may result in the shade falling and possible injury.

OUTSIDE MOUNT (OM)**STEP 1: MARKING THE BRACKET LOCATIONS**

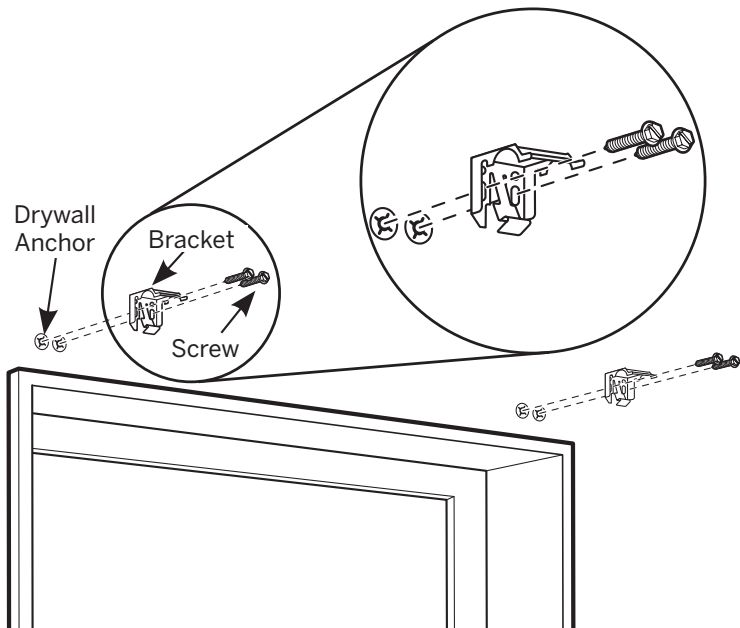
IMPORTANT: Before marking bracket locations, ensure that your bracket placement will not interfere with any components inside the headrail.

IMPORTANT: The rear of the brackets must be flush against a flat mounting surface. Do NOT mount brackets on curved molding.

- Center the headrail over the window opening at the desired height.
- Use a pencil to lightly mark each end of the headrail.
 - Alternatively, measure the width of the headrail and use that width to mark the headrail end points over the window opening.
- Mark approximately 1 - 2" in from each end of headrail for the installation bracket locations.
 - Allow a minimum of $\frac{1}{4}$ in. between the bottom of the installation bracket and the top of the window molding.
- With a pencil, mark the installation brackets or extension bracket screw locations through the larger, oblong rear holes of the bracket, 2 screws per bracket.
- Use a level to ensure all brackets are aligned.
- If more than two installation brackets come with your order, space additional bracket(s) evenly between the two end brackets, no more than 30" apart, mark drill hole locations.

INSTALLATION

OUTSIDE MOUNT (OM)



STEP 2: INSTALLING THE BRACKETS

IMPORTANT: Use drywall anchors when mounting into drywall (not provided).

IMPORTANT: The rear of the brackets must be flush against a flat mounting surface. Do NOT mount brackets on curved molding.

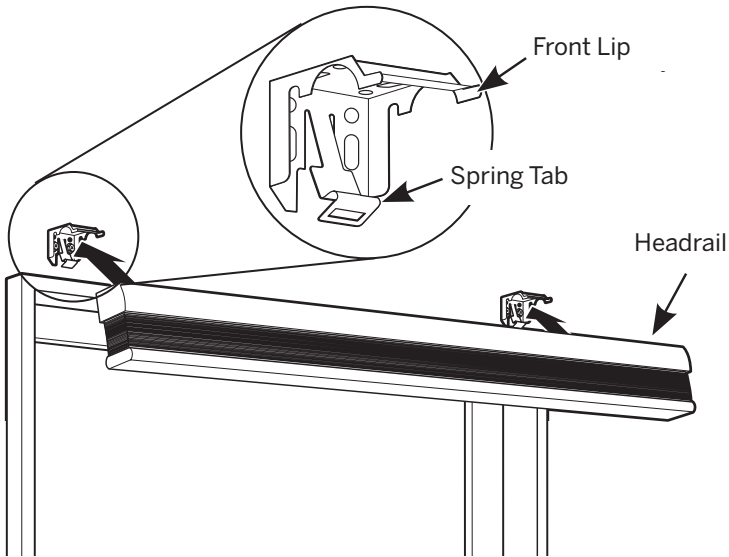
- Pre-drill screw holes using a $\frac{1}{16}$ " drill bit, using pencil marks as a guide.
- Hold the bracket with the surface marked "Top" so that it is facing upwards and then line up the pre-drilled screw holes with the holes in the bracket.
 - **Note:** If using spacer blocks: Stack spacer blocks on the back side of the installation brackets (see page 15 for additional details).



CAUTION: Do not use more than one spacer block. Using more than one spacer block could cause shade to fall resulting in possible injury.

- While holding the bracket in place, secure with screws, 2 screws per bracket.
- Repeat for each bracket.
- Use a level to confirm all brackets are level.

OUTSIDE MOUNT (OM)



STEP 3: INSTALLING THE SHADE

- Hang the curved front side of the headrail on the front lip of the brackets.
- Rotate the headrail backwards toward the window until a snapping sound is heard. This will let you know the shade is engaged in the brackets.
- Install the included operating handle(s) (see additional instructions on page 14).



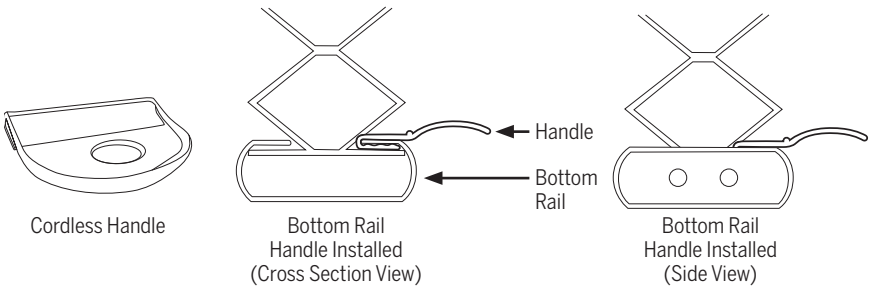
CAUTION: Do not use more than one spacer block. Using more than one spacer block could cause shade to fall resulting in possible injury.

INSTALLATION - ADDITIONAL COMPONENTS

INSTALLING BOTTOM RAIL OPERATING HANDLE

For Bottom-Up, Top-Down/Bottom-Up and Day/Night Application

- Locate the clear cordless bottom rail handle that arrived with your shade.
- Extend the shade, expanding the cells so they fully expose the bottom rail, allowing for an easier handle installation.
- Hook the lip of the handle over the **top** of the bottom rail.
- Once hooked under, pull the handle outward to ensure the handle has snapped into place.

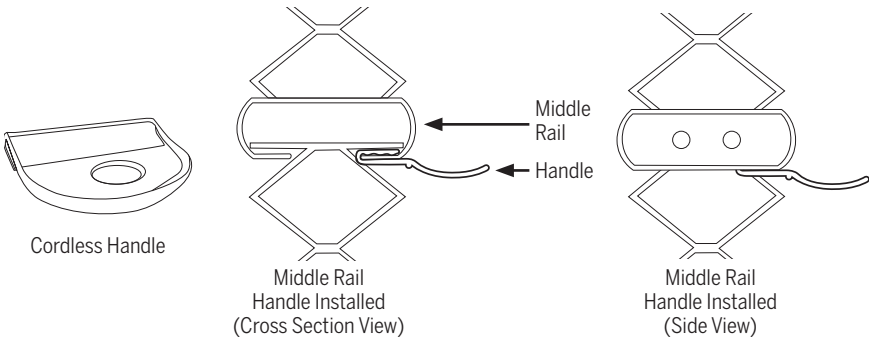


INSTALLING MIDDLE RAIL OPERATING HANDLE

For Top-Down/Bottom-Up and Day/Night Application

NOTE: The middle rail handle is installed in an inverted position from the bottom rail handle.

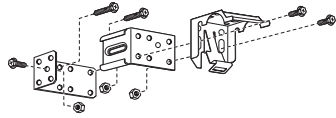
- Locate the clear, cordless middle rail handle that arrived with your shade.
- Extend the shade, expanding the cells so they fully expose the middle rail, allowing for an easier handle installation.
- Hook the lip of the handle under the **bottom** of the middle rail.
- Once hooked under, pull the handle outward to ensure the handle has snapped into place.



INSTALLATION - ADDITIONAL COMPONENTS

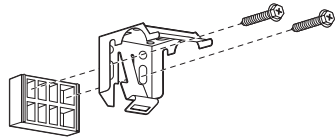
EXTENSION BRACKETS (optional)

- Optional extension brackets offers clearance for obstructions.
- Outside mounting extension brackets will provide 1–3" clearance between the headrail and mounting surface. Assemble extension bracket as shown.
- Secure an extension bracket to each standard mounting bracket.



SPACER BLOCKS (optional)

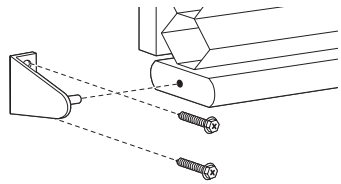
- Outside mounting spacer blocks will provide an additional $\frac{3}{8}$ " clearance as shown.
- If spacers are used, longer screws may be required to ensure a secure installation (not provided).



CAUTION: Do not use more than one spacer block. Using more than one spacer block could cause shade to fall resulting in possible injury.

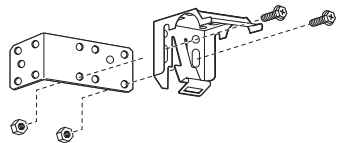
HOLD-DOWN BRACKETS (optional)

- Ideal for doors, hold-down brackets prevent shade from swaying. Assemble as shown to each side of bottom rail.



SIDE MOUNT BRACKETS (optional)

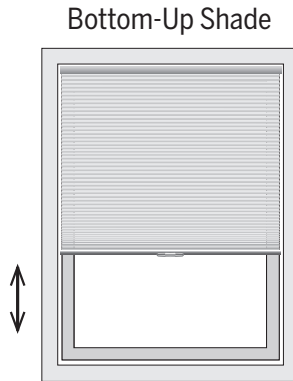
- Ideal for windows below transoms and arches.
- Alternative mounting method when no frame is available above the window for mounting.
- Use only if shade falls within appropriate side mount dimensions. For appropriate dimensions visit www.LEVOLOR.com or contact customer service at 1-800-538-6567.



OPERATION

CORDLESS BOTTOM-UP

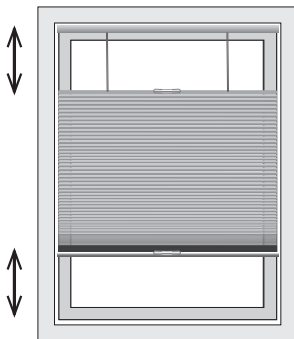
- To lower the shade, place hand on the handle and pull down until desired location is reached. Release and the shade will stay in place.
- To raise the shade, place hand on the handle and push up until desired location is raised. Release and the shade will stay in place.



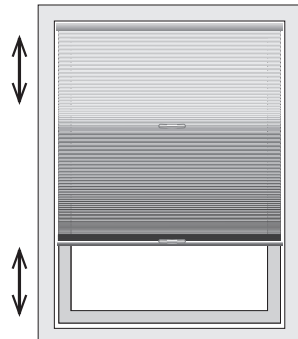
CORDLESS TOP-DOWN / BOTTOM-UP AND CORDLESS DAY/NIGHT

- To raise or lower the middle rail, place hand on the handle and push up or pull down until desired location is reached. Release and the shade will stay in place.
- To raise or lower the bottom rail, place hand on the center of the bottom rail or on the handle and push up or pull down until desired location is reached. Release and shade will stay in place.

Top-Down / Bottom-Up Shade

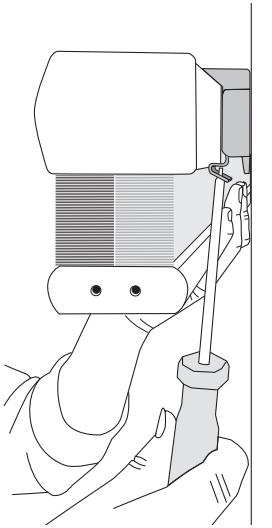


Day / Night Shade

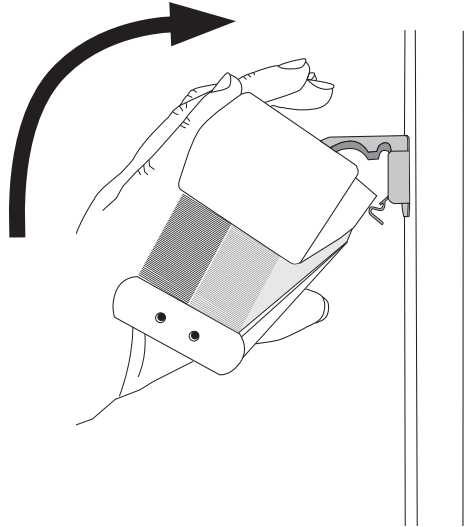


REMOVING THE SHADE

- Fully raise the shade.
- **Step 1:** Use a flathead screwdriver and push downwards on spring tab and then rotate the front headrail.
- **Step 2:** While pushing back on the headrail, rotate the front of the headrail up. Never force the spring tab beyond the back of the brackets.



Step 1



Step 2



CAUTION: Hold shade firmly when removing. Failure to do so may result in the shade falling and possible injury.

CLEANING AND CARE

CLEANING PROCEDURES

All LEVOLOR Cellular Shades are made of 100% polyester and with multiple cleaning options, these easy to care for shades will maintain their beautiful appearance for years to come.

NOTICE: Avoid contact with window cleaning products. Improper cleaning may damage the shade and void warranty.



DUSTING

Use a feather duster for regular cleaning.



FORCED AIR

Blow away dirt and debris using clean compressed air.



PROFESSIONAL INJECTION/EXTRACTION CLEANING

Call local on-site blind/shade cleaner that injects a cleaning solution into the fabric and extracts the dirty solution at the same time. The service is typically performed at home so you do not need to remove your window treatments.



VACUUMING

Use a low suction vacuum with a brush-type cleaner attachment; stroke lightly over the shade to clean.



SPOT-CLEANING/STAIN REMOVAL AT HOME

Use warm water and a mild soap, like Woolite® or Scotchgard®, if needed. Do not immerse shade in water.

TROUBLESHOOTING TIPS

- When first installed, cellular shades need to remain open 24 to 48 hours for shade to reach maximum length.
- If shade has been open for an extended period of time, billowing may occur when raising the shade.

WARRANTY

For complete warranty information visit LEVOLOR.com or call Customer Service at 1-800-LEVOLOR or 1-800-538-6567.

CONTACTING US

To contact LEVOLOR Customer Service regarding any questions or concerns you may have about your new shades, you may reach us at 1-800-LEVOLOR (8:30 am – 6:30 pm EST)

www.LEVOLOR.com

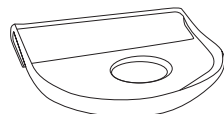
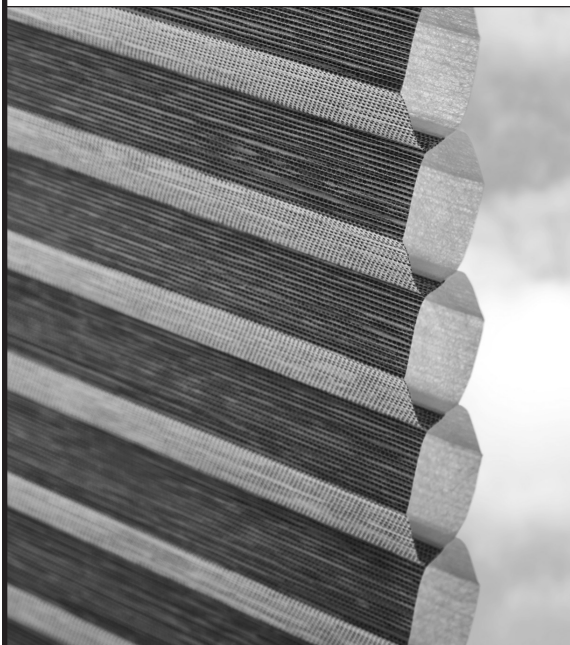
ADDITIONAL PARTS AND SERVICES

Additional or replacement parts can be ordered, or shades can be repaired or restrung through our repair center. Please contact LEVOLOR customer service through www.LEVOLOR.com for a return authorization number.

LEVOLOR®

Persianas celulares

INSTALACIÓN • MANEJO • CUIDADO



Control de elevación sin cuerda

CONTENIDOS

Terminología de ventanas y persianas

Tipos de montaje y terminología de ventanas.....	23
Estilos de elevación.....	24

Introducción

Descripción general de la instalación.....	25
Componentes incluidos.....	26
Herramientas y pasadores que puede necesitar.....	27

Instalación

Montaje interior.....	28-30
Montaje exterior.....	31-33

Instalación: componentes adicionales

Tiradores de elevación sin cuerda.....	34
Soportes de extensión.....	35
Bloques espaciadores.....	35
Soportes de sujeción.....	35
Soportes de montaje lateral.....	35

Manejo

Manejo de la persiana.....	36
----------------------------	----

Desinstalación

Extracción de la persiana.....	37
--------------------------------	----

Limpieza y cuidado

Procedimientos de limpieza.....	38
---------------------------------	----

Información adicional y asistencia

Solución de problemas.....	39
Garantía.....	39
Servicio de atención al cliente.....	39



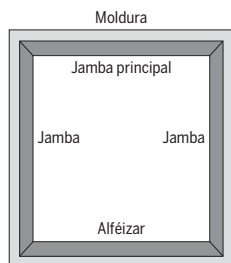
ADVERTENCIA: Mantener todas las piezas pequeñas, los componentes y el embalaje lejos de los niños ya que presentan un posible riesgo de asfixia que puede ocasionar lesiones graves o la muerte. Consulte todas las indicaciones y etiquetas de advertencia en las instrucciones y en la persiana.

Solo para residentes de Canadá: para obtener más información sobre seguridad: 1-866-662-0666 o visite www.canada.ca y busque "cuerdas de persiana".

TERMINOLOGÍA DE VENTANAS Y PERSIANAS

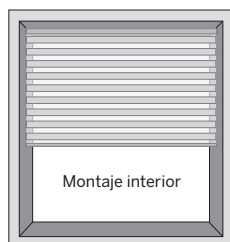
Gracias por comprar LEVOLOR® Persianas celulares. Con una instalación, operación y cuidado adecuados, su nueva persiana celular proporcionará años de belleza y rendimiento. Revise atentamente este folleto de instrucciones antes de comenzar la instalación.

TIPOS DE MONTAJE Y TERMINOLOGÍA DE VENTANAS



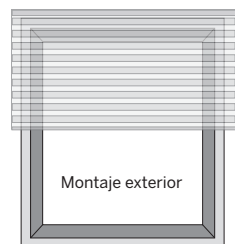
Terminología de componentes de ventana

- Colectivamente, el alféizar y las jambas se llaman “batiente de la ventana” o “marco”.



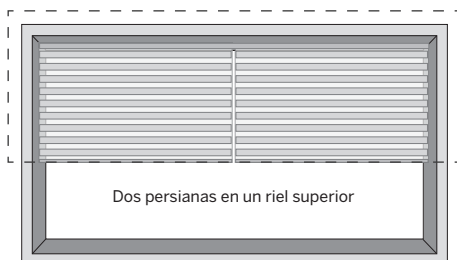
Montaje interior

- La persiana se ajusta en la abertura de la ventana.
- Ideal para ventanas con molduras bonitas.



Montaje exterior

- La persiana se monta fuera de la abertura de la ventana.
- Mayor control de la luz y la privacidad.



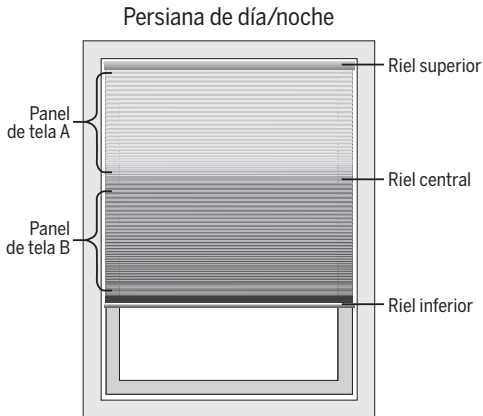
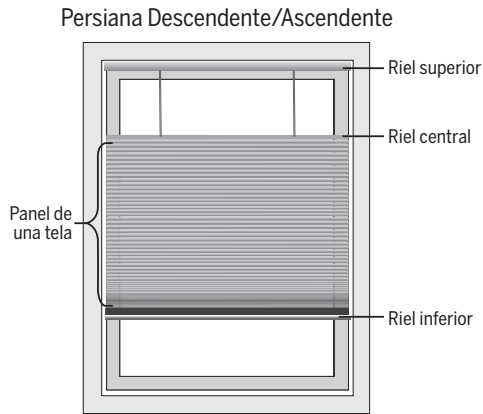
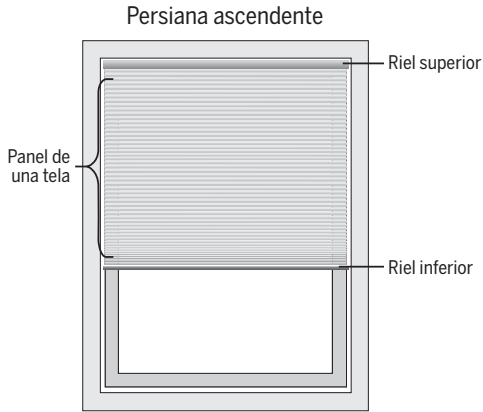
Dos persianas en un riel superior

- Proporciona un aspecto limpio de una sola persiana con la capacidad de manejar cada persiana de forma independiente.
- Se puede montar dentro o fuera.

Montaje lateral: no ilustrado

- Se usa principalmente cuando el montaje convencional no funciona, por ejemplo, en la abertura de una ventana arqueada.

ESTILOS DE ELEVACIÓN



DESCRIPCIÓN GENERAL DE LA INSTALACIÓN

- Confirme que el riel superior y la persiana tengan el ancho y la longitud adecuados.
- Si instala varios juegos de persianas, asegúrese de hacerlas coincidir con la ventana adecuada.
- Compruebe la superficie de la instalación para asegurarse de que tiene los pasadores y herramientas adecuados.
- Extienda y organice todas las piezas y componentes.
- Su pedido incluirá la cantidad correcta de soportes de instalación para la anchura de su persiana, como se muestra en la siguiente tabla.
- Es posible que los pedidos de persianas incluyan separadores o soportes de extensión, si se especificó, para mayor altura.
 - Los soportes de extensión también se usan para persianas de montaje lateral.

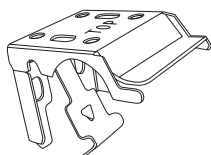
Soportes de instalación		
Su pedido incluirá la cantidad correcta de soportes de instalación para la anchura de su persiana, como se muestra en la siguiente tabla.		
Ancho de la persiana (pulgadas)	Número de soportes por persiana	
	Sin cuerda	Riel superior sin cuerda 2 en 1
Hasta 38	2	2
38 a 68	3	3
68 a 82	3	3
82 a 106	4	4
106 a 130	4	4
130 y más	N/A	N/A

INTRODUCCIÓN

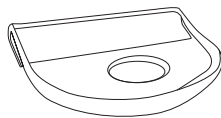
COMPONENTES INCLUIDOS



Persiana celular



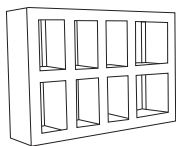
Soporte de montaje



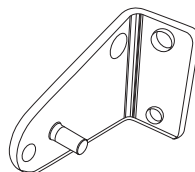
Tirador sin cuerda



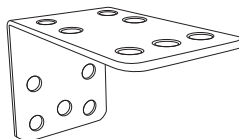
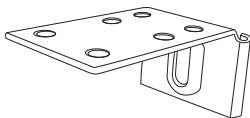
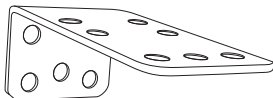
Tornillos de cabeza hexagonal (2 por soporte)



Bloque espaciador (opcional)



Soporte de sujeción (opcional)



Soportes de montaje lateral/de extensión (opcional)

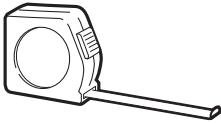
- Persiana
- Soportes de montaje
- Elementos de instalación
- Otros accesorios (opcional)

Se incluirán artículos opcionales si se ha seleccionado en el momento de realizar el pedido de la persiana.

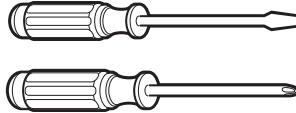
HERRAMIENTAS Y PASADORES QUE PUEDA NECESITAR (no incluidos)

Las herramientas que necesitará para instalar su persiana variarán en función de la superficie de instalación y el tipo de soporte de montaje.

Las herramientas habitualmente usadas para la instalación incluyen:



Cinta métrica metálica



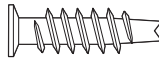
Destornilladores
(tanto de cabeza plana como Phillips)



Llave de tuerca de 1/4"



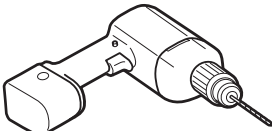
Gafas de seguridad



Anclas para panel de pladur



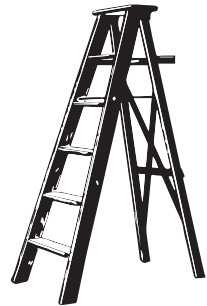
Lápiz



Taladro con brocas



Nivel



Escalera

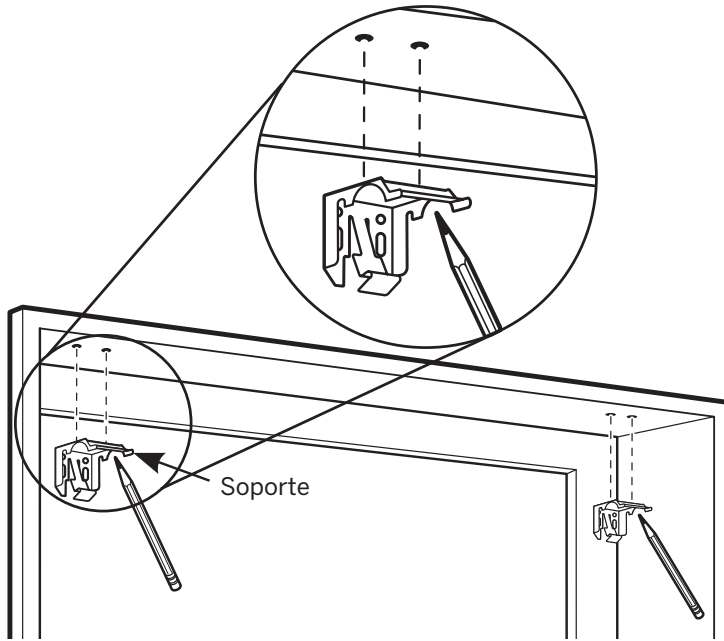
Nota: Podrían necesitarse tornillos más largos con soportes de extensión y separadores, no se muestra.



PRECAUCIÓN: Use anclas para panel de pladur cuando monte en un panel de pladur. (No proporcionado). Anclar la persiana incorrectamente podría causar que la persiana se cayese ocasionando lesiones.

INSTALACIÓN

MONTAJE INTERIOR (MI)

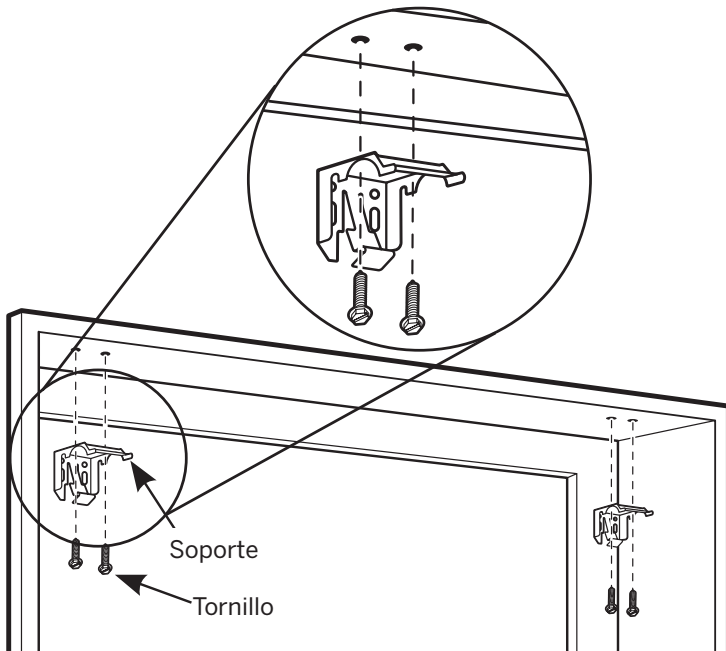


PASO 1: MARCAR LAS UBICACIONES DE LOS SOPORTES

IMPORTANTE: Antes de marcar las ubicaciones de los soportes, asegúrese de que la colocación de este no interfiere con ningún componente dentro del riel superior.

- Compruebe que la carcasa de su ventana tenga una profundidad mínima de $\frac{1}{2}$ " , lo que permite un riel superior parcialmente empotrado.
- Si desea un montaje estándar (totalmente empotrado), se requiere una profundidad mínima de montaje de $2\frac{1}{8}$ ".
- Marque 1 – 2" en cada jamba para ubicar el soporte.
- Marque con un lápiz las ubicaciones de los orificios de perforación rectangulares más grandes a través de la parte superior de los orificios del soporte, 2 orificios por soporte.
- Si se incluyen más de dos soportes de instalación con su pedido, coloque los soportes adicionales de manera uniforme entre los dos soportes de los extremos, a no más de 30" de distancia, y marque las ubicaciones de los agujeros de perforación.

MONTAJE INTERIOR (MI)

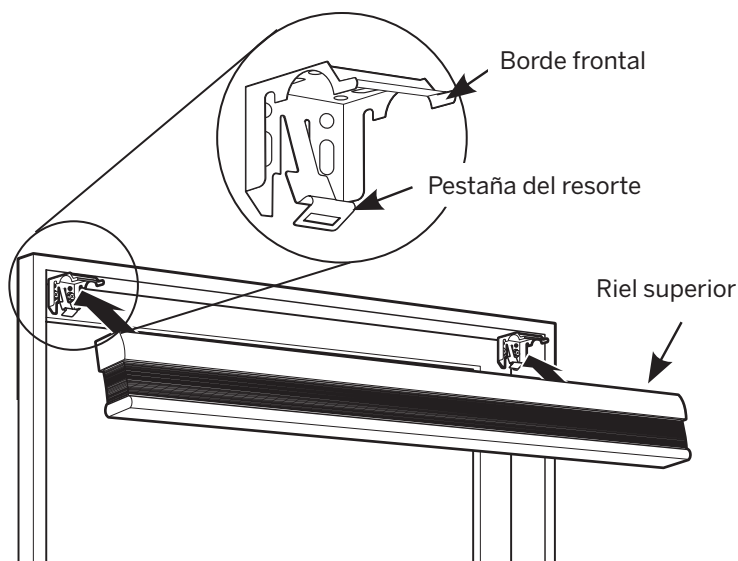


PASO 2: INSTALAR LOS SOPORTES

- Haga previamente agujeros para los tornillos usando una broca de $\frac{1}{16}$ " (solo para superficies de montaje de madera y metal) usando marcas de lápiz como guía.
- Sostenga el soporte con la superficie marcada como "Superior" hacia arriba. Alinee los orificios de los tornillos taladrados anteriormente y los orificios rectangulares más grandes en el soporte.
- Mientras sujeta el soporte en su lugar, asegure el soporte con tornillos, 2 tornillos por soporte.
- Repita con cada soporte.
- Asegúrese de que todos los soportes estén cuadrados entre sí.

INSTALACIÓN

MONTAJE INTERIOR (MI)



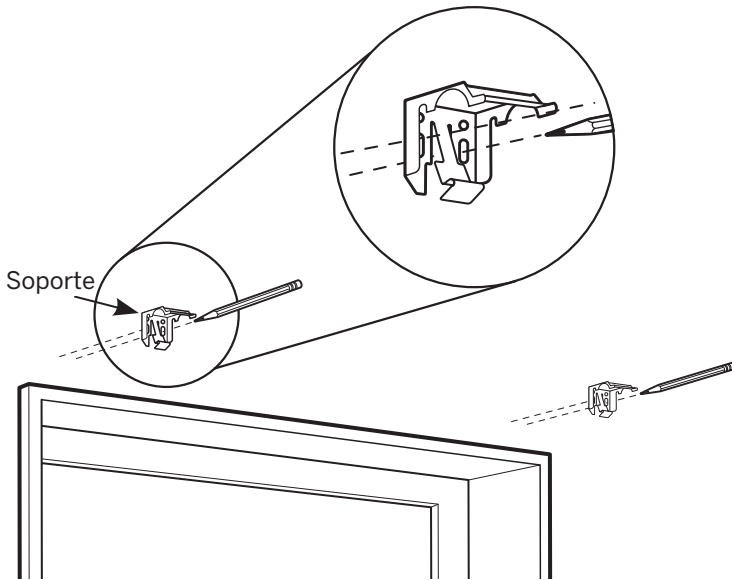
PASO 3: INSTALAR LA PERSIANA

- Cuelgue el lado frontal curvo del riel superior en el borde frontal de los soportes.
- Gire el riel superior hacia atrás contra la ventana hasta que escuche un chasquido. Esto le permitirá saber que la persiana está enganchada en los soportes.
- Repita con cada soporte.
- Instale los tiradores incluidos para manejar la persiana (consulte las instrucciones adicionales en la página 34).



PRECAUCIÓN: Asegúrese de que el soporte y el riel superior estén correctamente asegurados antes de poner la persiana en funcionamiento. Anclar la persiana incorrectamente podría causar que la persiana se cayese ocasionando lesiones.

MONTAJE EXTERIOR (ME)



PASO 1: MARCAR LAS UBICACIONES DE LOS SOPORTES

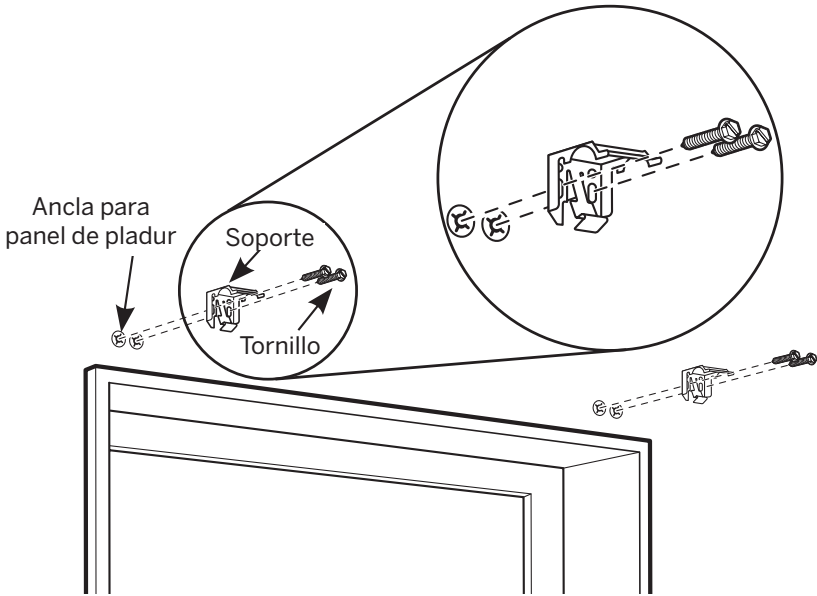
IMPORTANTE: Antes de marcar las ubicaciones de los soportes, asegúrese de que la colocación de este no interfiere con ningún componente dentro del riel superior.

IMPORTANTE: La parte posterior de los soportes debe estar alineada con una superficie de montaje plana. NO monte los soportes en molduras curvas.

- Centre el riel superior sobre la abertura de la ventana a la altura deseada.
- Use un lápiz para marcar ligeramente cada extremo del riel superior.
 - Alternativamente, mida el ancho del riel superior y use ese ancho para marcar los puntos finales de este sobre la abertura de la ventana.
- Marque aproximadamente 1 – 2" desde cada extremo del riel superior para las posiciones del soporte de instalación.
 - Deje un mínimo de $\frac{1}{4}$ pulgadas entre la parte inferior del soporte de instalación y la parte superior de la moldura de la ventana.
- Marque con un lápiz las ubicaciones de los tornillos del soporte de instalación o extensión a través de los orificios posteriores rectangulares del soporte más grandes, 2 tornillos por soporte.
- Use un nivel asegurar que todos los soportes están alineados.
- Si en su pedido hay más de dos soportes de instalación, coloque los soportes adicionales de manera uniforme entre los dos soportes de los extremos, a no más de 30" de distancia, y marque las ubicaciones de los agujeros de perforación.

INSTALACIÓN

MONTAJE EXTERIOR (ME)



PASO 2: INSTALAR LOS SOPORTES

IMPORTANTE: Use anclas para paneles de pladur cuando los monte en paneles de pladur (no incluidos).

IMPORTANTE: La parte posterior de los soportes debe estar alineada con una superficie de montaje plana. NO monte los soportes en molduras curvas.

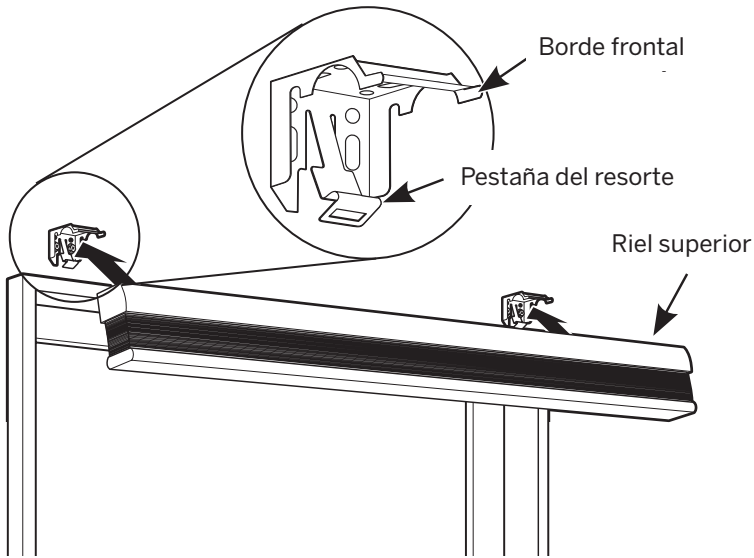
- Haga previamente los agujeros para los tornillos usando una broca de $\frac{1}{16}$ " , usando marcas de lápiz como guía.
- Sostenga el soporte con la superficie marcada "Superior" de modo que quede hacia arriba y luego alinee los orificios de los tornillos ya hechos con los orificios del soporte.
- Nota: Si usa bloques espaciadores, apile estos bloques en la parte posterior de los soportes de instalación (consulte la página 35 para obtener información adicional).



PRECAUCIÓN: No use más de un bloque espaciador. El uso de más de un bloque espaciador podría ocasionar la caída de la persiana y provocar lesiones.

- Mientras sujeta el soporte en su lugar, asegúrelo con tornillos, 2 tornillos por soporte.
- Repita con cada soporte.
- Use un nivel para confirmar que todos los soportes están alineados.

MONTAJE EXTERIOR (ME)



PASO 3: INSTALAR LA PERSIANA

- Cuelgue el lado frontal curvo del riel superior en el borde frontal de los soportes.
- Gire el riel superior hacia atrás contra la ventana hasta que escuche un chasquido. Esto le permitirá saber que la persiana está enganchada en los soportes.
- Instale los tiradores incluidos para manejar la persiana (consulte las instrucciones adicionales en la página 34).

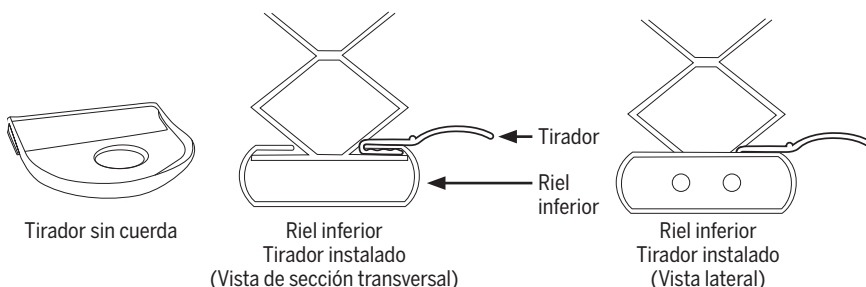


PRECAUCIÓN: Asegúrese de que el soporte y el riel superior estén correctamente asegurados antes de poner la persiana en funcionamiento. Si no lo hace, puede provocar que se caiga la persiana y posibles lesiones.

INSTALACIÓN: COMPONENTES ADICIONALES

INSTALACIÓN DEL TIRADOR DE MANEJO DEL RIEL INFERIOR Para ascendente, descendente/ascendente y aplicación para día/noche

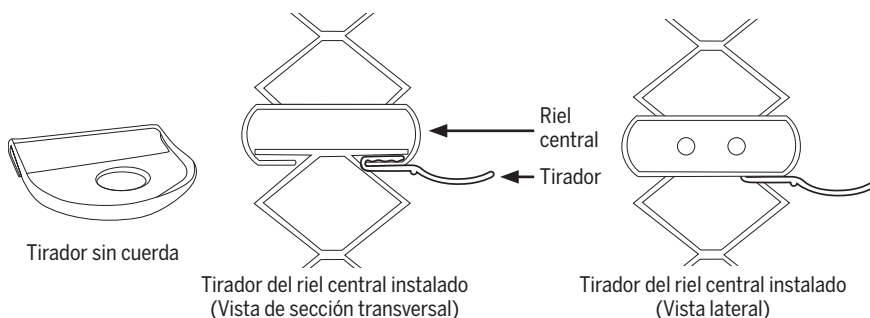
- Localice el tirador del riel inferior sin cuerda que llegó con su persiana.
- Extienda la persiana y expanda las lamas para que dejen completamente al descubierto la barra inferior, lo que permite una instalación más fácil del tirador.
- Enganche el borde del tirador sobre la parte **superior** del riel inferior.
- Una vez enganchado debajo, jale el tirador hacia afuera para asegurarse de que este se ha encajado en su lugar.



INSTALACIÓN DEL TIRADOR DE MANEJO DEL RIEL CENTRAL Para aplicación de descendente/ascendente y de día/noche

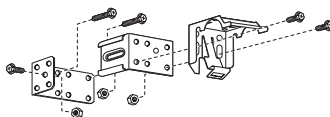
NOTA: El tirador del riel central se instala en una posición invertida con respecto al tirador del riel inferior.

- Localice el tirador del riel central sin cuerda que llegó con su persiana.
- Extienda la persiana y expanda las lamas para que dejen completamente al descubierto el riel central, lo que permite una instalación más fácil del tirador.
- Enganche el borde del tirador debajo de la parte **inferior** del riel central.
- Una vez enganchado debajo, jale el tirador hacia afuera para asegurarse de que este se haya encajado en su lugar.



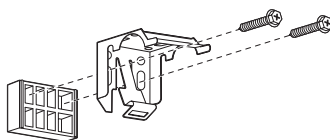
SOPORTES DE EXTENSIÓN (opcional)

- Los soportes de extensión opcionales ofrecen espacio para obstrucciones.
- Los soportes de extensión de montaje exteriores proporcionarán un espacio de 1-3" entre el riel superior y la superficie de montaje. Monte el soporte de extensión como se muestra.
- Asegure un soporte de extensión a cada soporte de montaje estándar.



BLOQUES ESPACIADORES (opcional)

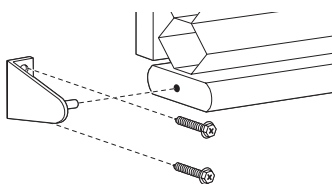
- Los bloques espaciadores de montaje exterior proporcionarán un espacio libre adicional de $\frac{3}{8}$ " como se muestra.
- Si se usan espaciadores, pueden ser necesarios tornillos más largos para garantizar una instalación segura (no incluidos).



PRECAUCIÓN: No use más de un bloque espaciador. El uso de más de un bloque espaciador podría ocasionar la caída de la persiana y provocar lesiones.

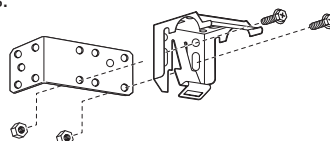
SOPORTES DE SUJECIÓN (opcional)

- Ideal para puertas, los soportes de sujeción evitan que la persiana oscile. Monte como se muestra a cada lado del riel inferior.



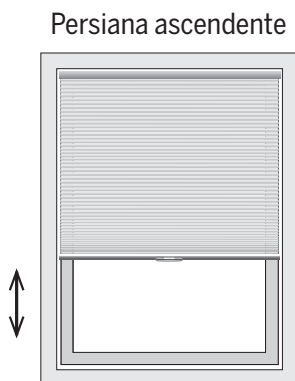
SOPORTES DE MONTAJE LATERAL (opcional)

- Ideal para ventanas debajo de travesaños y arcos.
- Método de montaje alternativo cuando no hay un marco disponible encima de la ventana para el montaje.
- Úselo solo si la persiana entra dentro de las dimensiones apropiadas de montaje lateral. Para saber las dimensiones adecuadas, visite www.LEVOLOR.com o póngase en contacto con el servicio de atención al cliente en el 1-800-538-6567.



ASCENDENTE SIN CUERDA

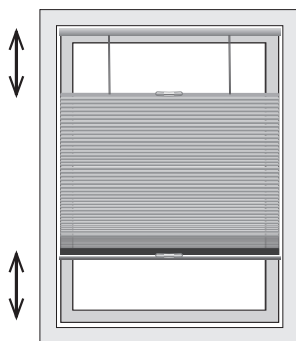
- Para bajar la persiana, coloque la mano en el tirador y jale hacia abajo hasta alcanzar la posición deseada. Suelte y la persiana permanecerá en su lugar.
- Para subir la persiana, coloque la mano en el tirador y jale hacia arriba hasta alcanzar la posición deseada. Suelte y la persiana permanecerá en su lugar.



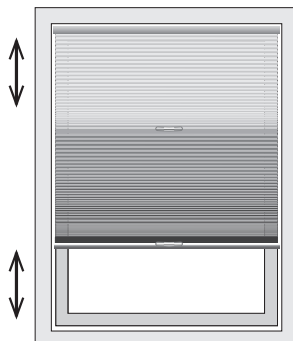
DESCENDENTE/ASCENDENTE SIN CUERDA Y DE DÍA/NOCHE SIN CUERDA

- Para subir o bajar el riel central, coloque la mano en el tirador y empuje hacia arriba o hacia abajo hasta alcanzar la posición deseada. Suelte y la persiana permanecerá en su lugar.
- Para subir o bajar el riel inferior, coloque la mano en el centro de este riel o en el tirador y empuje hacia arriba o hacia abajo hasta alcanzar la posición deseada. Suelte y la persiana permanecerá en su lugar.

Persiana Descendente/Ascendente

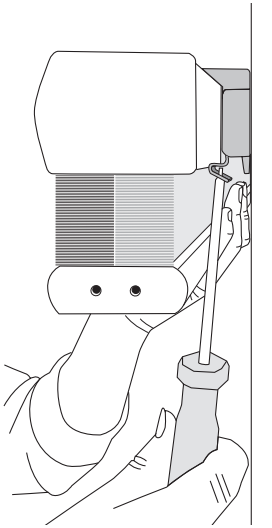


Persiana de día/noche

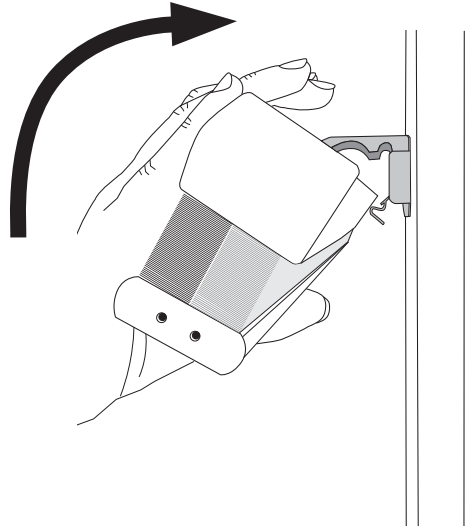


EXTRACCIÓN DE LA PERSIANA

- Suba completamente la persiana.
- **Paso 1:** Use un destornillador de cabeza plana y presione hacia abajo en la pestaña del resorte y luego gire el riel superior.
- **Paso 2:** Mientras empuja hacia atrás el riel superior, gire la parte delantera de este riel hacia arriba. Nunca fuerce la pestaña del resorte más allá de la parte posterior de los soportes.



Paso 1



Paso 2



PRECAUCIÓN: Sostener firmemente la persiana al quitarla. Si no lo hace, puede provocar que se caiga la persiana y posibles lesiones.

LIMPIEZA Y CUIDADO

PROCEDIMIENTOS DE LIMPIEZA

Todas las persianas celulares LEVOLOR están hechas de 100% poliéster y con múltiples opciones de limpieza, estas persianas fáciles de cuidar mantendrán su bonita apariencia en el futuro.

AVISO: Evite el contacto con productos de limpieza de ventanas. La limpieza inadecuada puede dañar la persiana y anular la garantía.



LIMPIEZA

Use un plumero para una limpieza regular.



AIRE FORZADO

Elimine los restos y la suciedad con aire comprimido limpio.



LIMPIEZA PROFESIONAL POR INYECCIÓN/EXTRACCIÓN

Llame a un limpiador de persianas in situ que inyecte un solución de limpieza en la tela y extraiga la solución sucia a la vez. El servicio generalmente se realiza en el hogar, por lo que no es necesario que elimine sus tratamientos de ventana.



PASAR LA ASPIRADORA

Use una aspiradora de succión baja con un accesorio de limpieza con forma de cepillo y pásela por la persiana para limpiarla.



LIMPIEZA DE MANCHAS/ELIMINACIÓN DE MANCHAS EN EL HOGAR

Use agua caliente y jabón suave, por ejemplo, Woolite® o Scotchgard® si fuese necesario. No sumerja la persiana en agua.

SOLUCIÓN DE PROBLEMAS

- Cuando se instalan por primera vez, las persianas celulares deben permanecer abiertas de 24 a 48 horas para que la persiana alcance la longitud máxima.
- Si la persiana ha estado abierta durante un período de tiempo prolongado, se puede producir una ondulación al subir la persiana.

GARANTÍA

Para obtener información completa sobre la garantía, visite LEVOLOR.com o llame al servicio de atención al cliente al 1-800-LEVOLOR o 1-800-538-6567.

PÓNGASE EN CONTACTO CON NOSOTROS

Para ponerse en contacto con el Servicio de atención al cliente de LEVOLOR para cualquier pregunta o duda que pueda tener sobre su nueva persiana, póngase en contacto con nosotros en el 1-800-LEVOLOR (8:30 am – 6:30 pm EST)

www.LEVOLOR.com

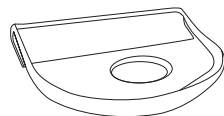
PIEZAS ADICIONALES Y SERVICIOS

Puede pedir las piezas adicionales o de sustitución o las persianas se pueden reparar o se les puede cambiar las cuerdas en nuestro centro de reparación. Comuníquese con el servicio al cliente de LEVOLOR a través de www.LEVOLOR.com para obtener un número de autorización de devolución.

LEVOLOR®

Toiles alvéolées

INSTALLATION • UTILISATION • ENTRETIEN



Commande de levage sans cordon

TABLE DES MATIÈRES

Terminologie des fenêtres et des toiles

Types de montage et terminologie des fenêtres	43
Styles de levage	44

Pour commencer

Présentation de l'installation	45
Composants inclus.....	46
Outils et attaches dont vous pourriez avoir besoin	47

Installation

Installation à l'intérieur du châssis.....	48–50
Installation à l'extérieur du châssis	51–53

Installation – Composants supplémentaires

Poignée(s) de levage sans cordon.....	54
Supports d'extension.....	55
Blocs d'écartement.....	55
Supports de retenue	55
Supports pour installation latérale.....	55

Utilisation

Fonctionnement de la toile	56
----------------------------------	----

Désinstallation

Retirer la toile.....	57
-----------------------	----

Nettoyage et entretien

Procédures de nettoyage.....	58
------------------------------	----

Renseignements supplémentaires et assistance

Dépannage.....	59
Garantie	59
Service d'aide à la clientèle.....	59



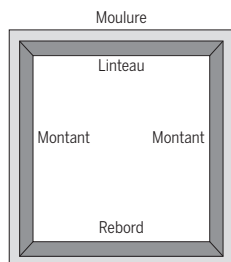
ATTENTION : Gardez toutes les petites pièces, composants et emballages loin des enfants, car ils présentent un risque d'étouffement potentiel pouvant entraîner des blessures graves ou la mort. Veuillez lire toutes les étiquettes et étiquettes d'avertissement dans les instructions et sur la toile.

Résidents canadiens seulement : Pour plus de renseignements sur la sécurité : composez le 1-866-662-0666 ou visitez www.canada.ca, recherchez « cordons de stores ».

TERMINOLOGIE DES FENÊTRES ET DES TOILES

Merci d'avoir acheté les toiles alvéolées LEVOLOR®. Avec une installation, une utilisation et un entretien appropriés, votre nouvelle toile alvéolée durera des années tout en ayant belle apparence. Veuillez lire attentivement ce livret d'instructions avant de commencer l'installation.

TYPES DE MONTAGE ET TERMINOLOGIE DE FENÊTRE



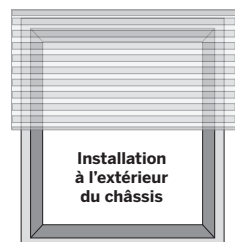
Terminologie des composants des fenêtres

- Collectivement, le rebord et les montants forment ce que l'on appelle le « cadre de la fenêtre » ou le « châssis ».



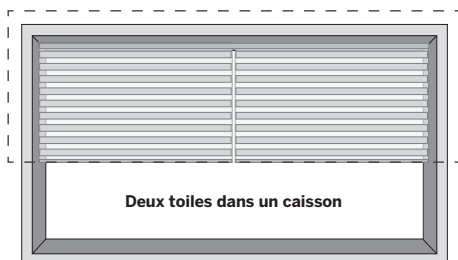
Installation à l'intérieur du châssis

- La toile s'installe à l'intérieur du cadre de la fenêtre.
- Idéal pour les fenêtres avec des moulures ornementales.



Installation à l'extérieur du châssis

- La toile s'installe à l'extérieur du cadre de la fenêtre.
- Meilleur tamisage de la lumière et plus grande intimité.



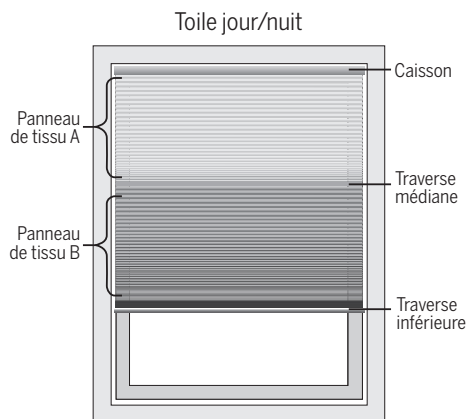
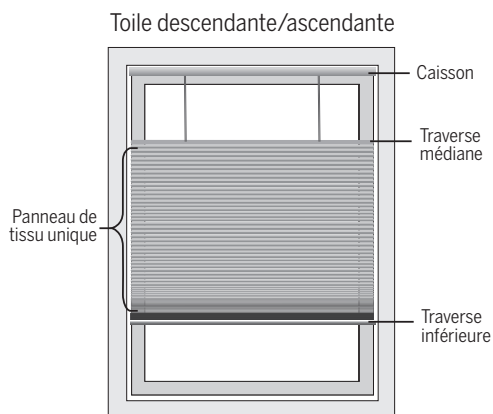
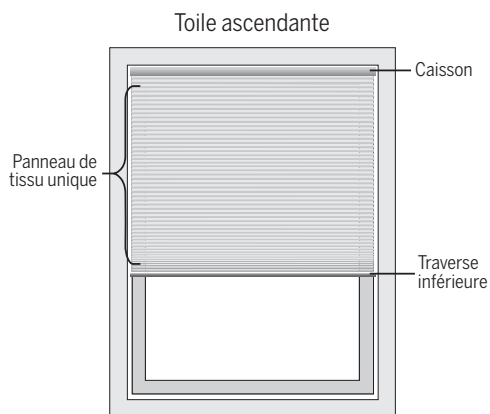
Deux toiles dans un caisson

- Donne une apparence soignée à une toile simple tout en offrant la possibilité de manier chaque toile indépendamment.
- Peut être installé à l'intérieur ou à l'extérieur du châssis.

Installation latérale – Non montrée

- Principalement utilisée lorsqu'une installation conventionnelle n'est pas possible – par exemple, dans le cadre d'une fenêtre en arche.

STYLES DE LEVAGE



PRÉSENTATION DE L'INSTALLATION

- Confirmez que le caisson et la toile ont la largeur et la longueur appropriées.
- Si vous installez plusieurs toiles, assurez-vous qu'elles correspondent à la fenêtre appropriée.
- Vérifiez la surface d'installation pour vous assurer que vous avez les attaches et les outils appropriés.
- Disposez et organisez toutes les pièces et tous les composants.
- Votre commande comprendra le nombre adéquat de supports de fixation selon la largeur de votre toile, comme indiqué dans le tableau ci-dessous.
- Les commandes de toiles peuvent également inclure des blocs d'écartement ou des supports d'extension, s'ils ont été mentionnés, pour un dégagement supplémentaire.
 - Les supports d'extension sont également utilisés pour les toiles montées latéralement.

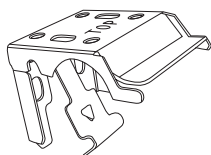
Supports de fixation		
Votre commande comprendra le nombre adéquat de supports de fixation selon la largeur de votre toile, comme indiqué dans le tableau ci-dessous.		
Largeur de la toile (pouces)	Nombre de supports par toile	
	Sans cordon	Caisson 2-en-1 sans cordon
Jusqu'à 38	2	2
38 à 68	3	3
68 à 82	3	3
82 à 106	4	4
106 à 130	4	4
130 et plus	S.O.	S.O.

POUR COMMENCER

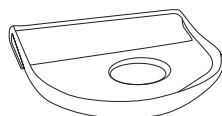
COMPOSANTS INCLUS



Toile alvéolée



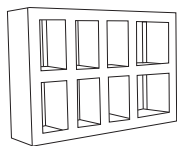
Support de montage



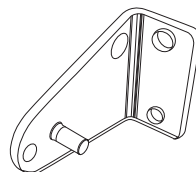
Poignée sans cordon



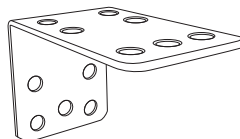
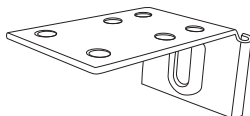
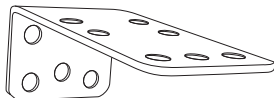
Vis à tête hexagonale
(deux par support)



Bloc d'écartement
(optionnel)



Support de retenue
(optionnel)



Supports d'extension et pour installation latérale
(optionnel)

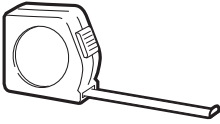
- Toile
- Supports de montage
- Matériel d'installation
- Autres accessoires (optionnel)

Les articles optionnels seront inclus, s'ils sont sélectionnés au moment de la commande de la toile.

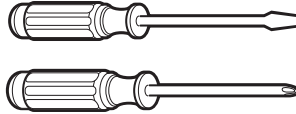
OUTILS ET ATTACHES DONT VOUS POURRIEZ AVOIR BESOIN (non inclus)

Les outils dont vous aurez besoin pour installer votre toile varieront en fonction de la surface d'installation et du type de support de montage.

Les outils généralement utilisés pour l'installation incluent :



Ruban à mesurer
en métal



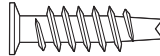
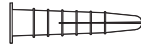
Tournevis
(à la fois plat et Phillips)



Tournevis
à douille de 1/4 po



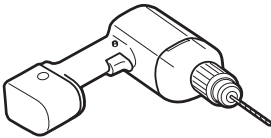
Lunettes de sécurité



Ancrages de cloison sèche



Crayon



Perceuse avec forets



Niveau



Échelle

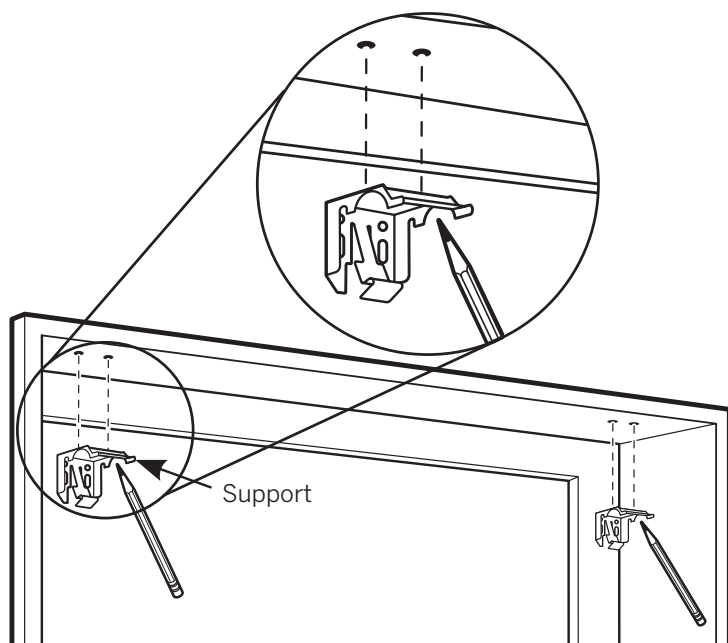
Remarque : Des vis plus longues peuvent être nécessaires avec des supports d'extension et des blocs, non représentés.



MISE EN GARDE : Utilisez des ancrages de cloison sèche pour un montage dans des cloisons sèches. (Non fournis.) Si la toile n'est pas correctement ancrée, elle pourrait tomber et entraîner des blessures.

INSTALLATION

INSTALLATION À L'INTÉRIEUR DU CHÂSSIS (IIC)

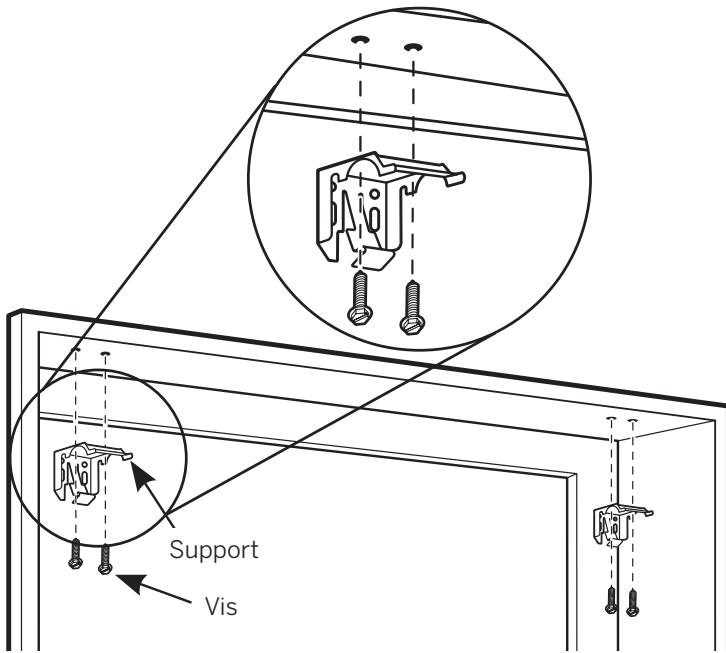


ÉTAPE 1 : MARQUAGE DE L'EMPLACEMENT DES SUPPORTS

IMPORTANT : Avant de marquer l'emplacement des supports, assurez-vous que le positionnement de vos supports n'interférera pas avec les composants à l'intérieur du caisson.

- Vérifiez que le châssis de votre fenêtre a une profondeur minimale de $\frac{1}{2}$ po, ce qui permet un montage du caisson partiellement encastré.
- Si un montage encastré est désiré, une profondeur de montage minimale de $2\frac{1}{8}$ po est requise.
- Faites une marque à 1 à 2 po de chaque montant pour indiquer l'emplacement du support.
- À l'aide d'un crayon, marquez l'emplacement des trous oblongs, plus longs, en haut des trous du support. Il y a deux trous par support.
- Si votre commande comporte plus de deux supports d'installation, placez le(s) support(s) supplémentaire(s) entre les deux supports d'extrémité, à une distance maximale de 30 po, et marquez l'emplacement des trous à percer.

INSTALLATION À L'INTÉRIEUR DU CHÂSSIS (IIC)

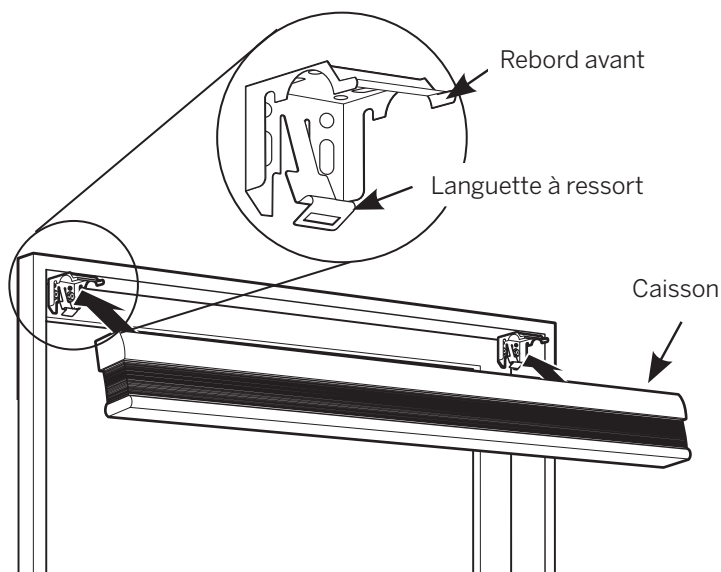


ÉTAPE 2 : INSTALLATION DES SUPPORTS

- Percez des trous pour les vis au préalable à l'aide d'un foret de $\frac{1}{16}$ po (surfaces de montage en bois et en métal uniquement) en utilisant les marques de crayon comme repères.
- Tenez le support de manière à ce que la surface marquée « Haut » soit orientée vers le haut. Alignez les trous percés au préalable pour les vis et les trous oblongs plus longs dans le support.
- Tout en maintenant le support en place, fixez-le à l'aide de vis. Utilisez-en deux par support.
- Répétez cette étape pour chaque support.
- Assurez-vous que tous les supports sont bien alignés.

INSTALLATION

INSTALLATION À L'INTÉRIEUR DU CHÂSSIS (IIC)



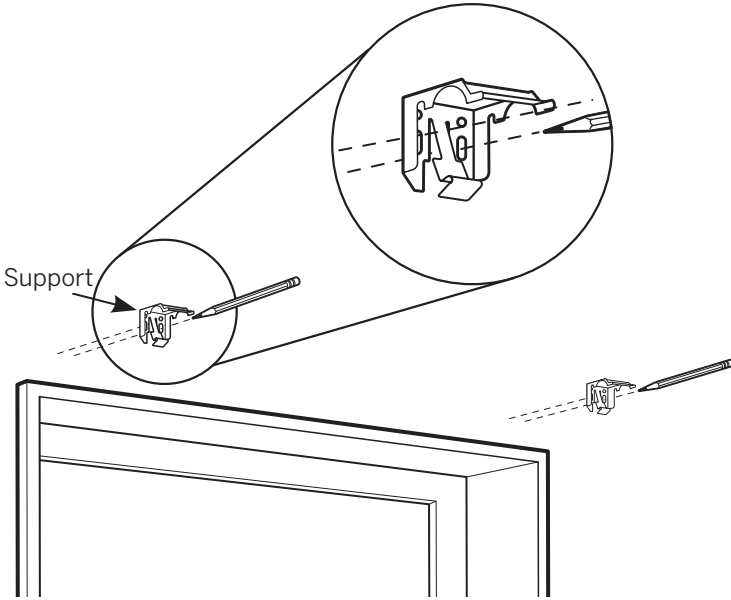
ÉTAPE 3 : INSTALLATION DE LA TOILE

- Accrochez le caisson face incurvée vers l'avant sur le rebord avant des supports.
- Faites pivoter le caisson vers l'arrière en direction de la fenêtre jusqu'à ce que vous entendiez un claquement. Cela vous permettra de savoir que la toile est enclenchée dans les supports.
- Répétez cette étape pour chaque support.
- Installez la ou les poignées de commande incluses (voir les instructions supplémentaires à la page 14).



MISE EN GARDE : Assurez-vous que le support et le caisson sont correctement fixés avant d'utiliser la toile. Sinon, celle-ci pourrait tomber et entraîner des blessures.

INSTALLATION À L'EXTÉRIEUR DU CHÂSSIS (IEC)



ÉTAPE 1 : MARQUAGE DE L'EMPLACEMENT DES SUPPORTS

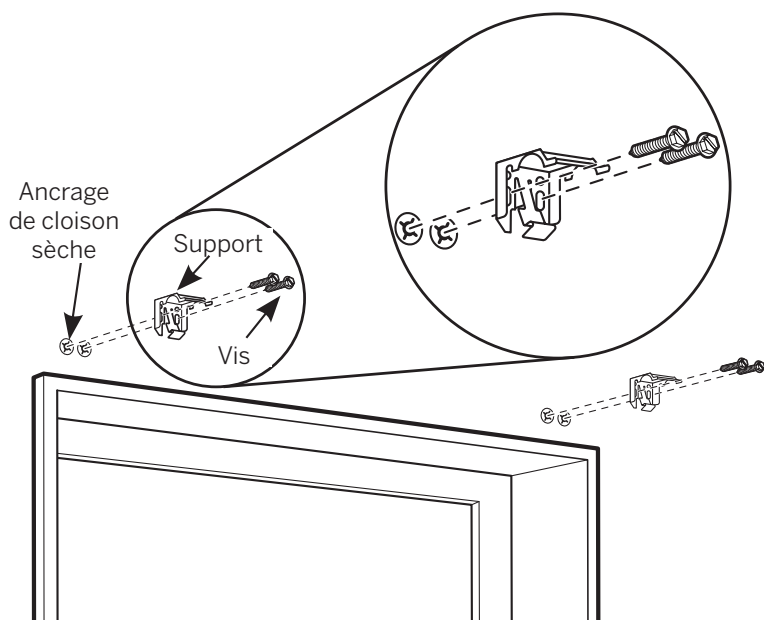
IMPORTANT : Avant de marquer l'emplacement des supports, assurez-vous que le positionnement de vos supports n'interférera pas avec les composants à l'intérieur du caisson.

IMPORTANT : L'arrière des supports doit affleurer une surface de montage plane. Ne montez PAS les supports sur des moulures incurvées.

- Centrez le caisson sur l'ouverture de la fenêtre à la hauteur désirée.
- Utilisez un crayon pour tracer légèrement des marques à chaque extrémité du caisson.
 - Vous pouvez également mesurer la largeur du caisson et utiliser cette largeur pour marquer les extrémités du caisson sur l'ouverture de la fenêtre.
- Tracez une marque à 1 à 2 po environ de chaque extrémité du caisson pour indiquer l'emplacement des supports d'installation.
 - Laissez un espace minimal de 1/4 po entre le bas du support d'installation et le haut de la moulure de fenêtre.
- À l'aide d'un crayon, marquez l'emplacement des vis des supports d'installation ou d'extension dans les trous oblongs, plus longs, du support. Il y a deux vis par support.
- Utilisez un niveau pour vous assurer que tous les supports sont alignés.
- Si votre commande comporte plus de deux supports d'installation, placez le(s) support(s) supplémentaire(s) entre les deux supports d'extrémité, à une distance maximale de 30 po, et marquez l'emplacement des trous à percer.

INSTALLATION

INSTALLATION À L'EXTÉRIEUR DU CHÂSSIS (IEC)



ÉTAPE 2 : INSTALLATION DES SUPPORTS

IMPORTANT : Utilisez des ancrages de cloison sèche pour un montage dans des cloisons sèches (non inclus).

IMPORTANT : L'arrière des supports doit affleurer une surface de montage plane. Ne montez PAS les supports sur des moulures incurvées.

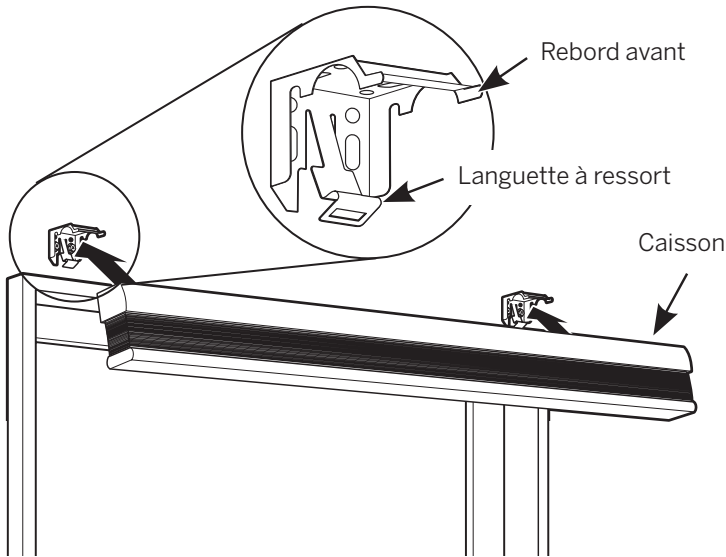
- Percez des trous pour les vis au préalable à l'aide d'un foret de $1/16$ po, en utilisant les marques de crayon comme repères.
- Tenez le support de manière à ce que la surface marquée « Haut » soit orientée vers le haut, puis alignez les trous des vis percés au préalable aux trous du support.
 - **Remarque :** Si vous utilisez des blocs d'écartement : Empilez les blocs d'écartement situés à l'arrière des supports d'installation (voir la page 55 pour plus de détails).



MISE EN GARDE : N'utilisez pas plus d'un bloc d'écartement. Si plus d'un bloc d'écartement est utilisé, la toile pourrait tomber et entraîner des blessures.

- Tout en maintenant le support en place, fixez-le à l'aide de vis. Utilisez-en deux par support.
- Répétez cette étape pour chaque support.
- Utilisez un niveau pour vérifier que tous les supports sont à niveau.

INSTALLATION À L'EXTÉRIEUR DU CHÂSSIS (IEC)



ÉTAPE 3 : INSTALLATION DE LA TOILE

- Accrochez le caisson face incurvée vers l'avant sur le rebord avant des supports.
- Faites pivoter le caisson vers l'arrière en direction de la fenêtre jusqu'à ce que vous entendiez un claquement. Cela vous permettra de savoir que la toile est enclenchée dans les supports.
- Installez la ou les poignées de commande incluses (voir les instructions supplémentaires à la page 54).



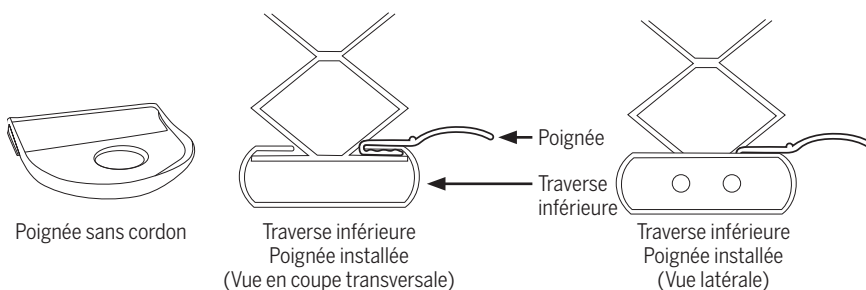
MISE EN GARDE : Assurez-vous que le support et le caisson sont correctement fixés avant d'utiliser la toile. Sinon, celle-ci pourrait tomber et entraîner des blessures.

INSTALLATION – COMPOSANTS SUPPLÉMENTAIRES

INSTALLATION DE LA POIGNÉE DE COMMANDE DE LA TRAVERSE INFÉRIEURE

Pour les toiles ascendantes, descendantes/ascendantes et jour/nuit

- Prenez la poignée transparente sans cordon de la traverse inférieure incluse dans votre commande.
- Étendez la toile en dépliant les alvéoles afin que la traverse inférieure soit complètement exposée, ce qui facilite l'installation de la poignée.
- Accrochez le bord de la poignée sur le **haut** de la traverse inférieure.
- Une fois celui-ci accroché en bas, tirez la poignée vers l'extérieur pour vous assurer qu'elle est enclenchée.

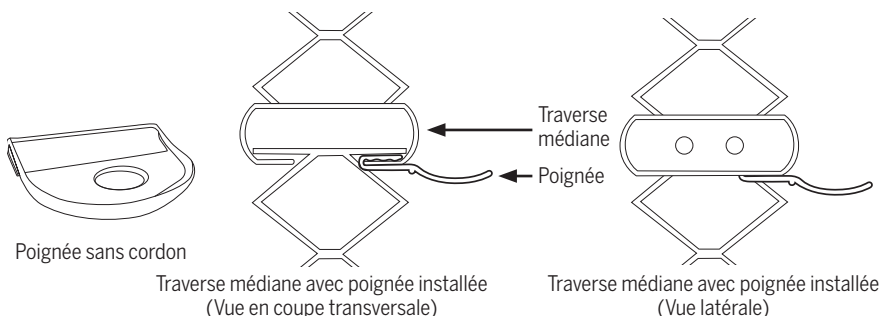


INSTALLATION DE LA POIGNÉE DE COMMANDE DE LA TRAVERSE MÉDIANE

Pour les toiles descendantes/ascendantes et jour/nuit

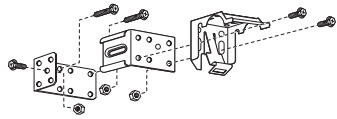
REMARQUE : La poignée de la traverse médiane est installée en position inverse de celle de la poignée de la traverse inférieure.

- Prenez la poignée transparente sans cordon de la traverse médiane incluse dans votre commande.
- Étendez la toile en dépliant les alvéoles afin que la traverse médiane soit complètement exposée, ce qui facilite l'installation de la poignée.
- Accrochez le bord de la poignée sous le **bas** de la traverse médiane.
- Une fois celui-ci accroché en bas, tirez la poignée vers l'extérieur pour vous assurer qu'elle est enclenchée.



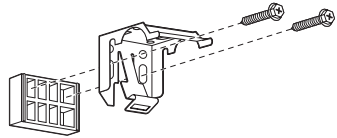
SUPPORTS D'EXTENSION (optionnel)

- Les supports d'extension en option offrent un dégagement pour les obstructions.
- Les supports d'extension de montage extérieurs offrent un dégagement de 1 à 3 po entre le caisson et la surface de montage. Assemblez le support d'extension comme illustré.
- Fixez un support d'extension à chaque support de montage standard.



BLOCS D'ÉCARTEMENT (optionnel)

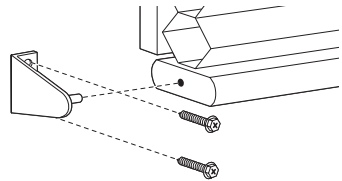
- Les blocs d'écartement de montage extérieurs fourniront un dégagement additionnel de $\frac{3}{8}$ po comme illustré.
- Si des blocs sont utilisés, des vis plus longues peuvent être nécessaires pour assurer la solidité de l'installation (non incluses).



MISE EN GARDE : N'utilisez pas plus d'un bloc d'écartement. Si plus d'un bloc d'écartement est utilisé, la toile pourrait tomber et entraîner des blessures.

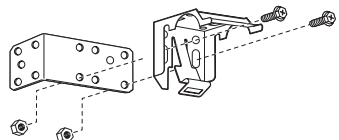
SUPPORTS DE RETENUE (optionnel)

- Idéal pour les portes, les supports de retenue empêchent la toile d'osciller. Assemblez-les comme illustré de chaque côté de la traverse inférieure.



SUPPORTS DE MONTAGE LATÉRAL (optionnel)

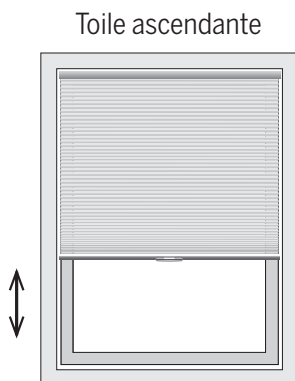
- Idéal pour les fenêtres sous les impostes et les arches.
- Option de méthode de montage lorsqu'aucun cadre n'est disponible au-dessus de la fenêtre pour le montage.
- Utiliser seulement si la toile correspond aux dimensions appropriées pour le montage latéral. Pour obtenir les dimensions appropriées, visitez www.LEVOLOR.com ou communiquez avec le service à la clientèle au 1-800-538-6567.



UTILISATION

ASCENDANTE – SANS CORDON

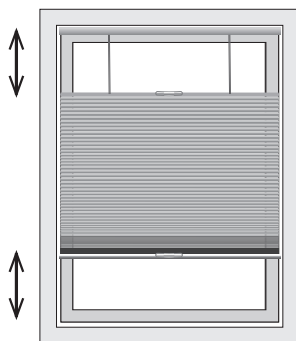
- Pour abaisser la toile, posez la main sur la poignée et tirez vers le bas jusqu'à ce que la toile soit au niveau désiré. Relâchez la poignée et la toile restera en place.
- Pour relever la toile, posez la main sur la poignée et poussez vers le haut jusqu'à ce que la toile soit au niveau désiré. Relâchez la poignée et la toile restera en place.



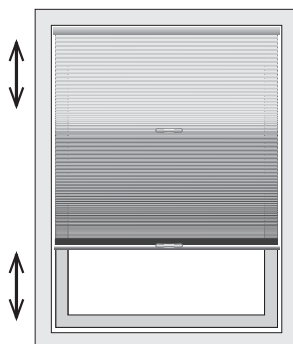
DESCENDANTE/ASCENDANTE SANS CORDON ET JOUR/NUIT SANS CORDON

- Pour relever ou abaisser la traverse médiane, posez la main sur la poignée et poussez vers le haut ou vers le bas jusqu'à ce que la toile soit au niveau désiré. Relâchez la poignée et la toile restera en place.
- Pour relever ou abaisser le rail inférieur, posez la main au centre de la traverse inférieure ou sur la poignée et poussez vers le haut ou vers le bas jusqu'à ce que la toile soit au niveau désiré. Relâchez la poignée et la toile restera en place.

Toile descendante/ascendante

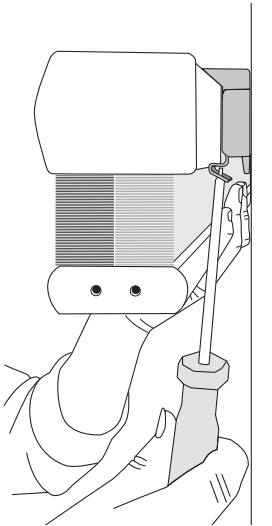


Toile jour/nuite

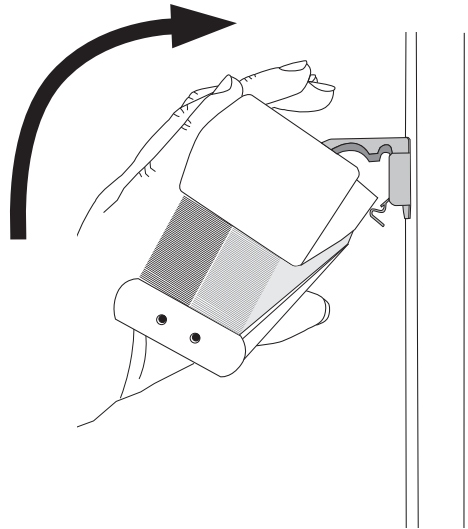


RETIRER LA TOILE

- Relevez complètement la toile.
- **Étape 1 :** Utilisez un tournevis à tête plate et poussez la languette du ressort vers le bas, puis faites pivoter le caisson avant.
- **Étape 2 :** Tout en poussant le caisson vers l'arrière, faites pivoter l'avant du caisson vers le haut. Ne forcez jamais la languette du ressort au-delà de l'arrière des supports.



Étape 1



Étape 2



MISE EN GARDE : Tenez fermement la toile au moment de la retirer. Sinon, elle pourrait tomber et entraîner des blessures.

NETTOYAGE ET ENTRETIEN

PROCÉDURES DE NETTOYAGE

Toutes les toiles alvéolées LEVOLOR sont faites de polyester à 100 % et grâce à de nombreuses options de nettoyage possibles, ces toiles faciles d'entretien conserveront leur belle apparence pour les années à venir.

REMARQUE : Évitez tout contact avec les produits de nettoyage de vitres. Un nettoyage inadéquat peut endommager la toile et annuler la garantie.



ÉPOUSSETAGE

Utilisez un plumeau pour le nettoyage régulier.



AIR PULSÉ

Soufflez la saleté et les débris en utilisant de l'air comprimé propre.



NETTOYAGE PROFESSIONNEL PAR INJECTION/EXTRACTION

Appelez un nettoyeur de store ou de toile local qui injecte une solution de nettoyage dans le tissu et qui extrait simultanément la solution souillée. Ce service est généralement effectué à la maison; vous n'avez donc pas à enlever vos traitements de fenêtre.



ASPIRATION

Utilisez un aspirateur à faible succion avec un accessoire de nettoyage muni d'une brosse; passez délicatement sur la toile pour la nettoyer.



NETTOYAGE/ÉLIMINATION DES TACHES À LA MAISON

Utilisez de l'eau chaude et un savon doux, tel que Woolite® ou Scotchgard®, si nécessaire. N'immergez pas la toile dans l'eau.

CONSEILS DE DÉPANNAGE

- Lors de l'installation initiale, les toiles alvéolées doivent rester ouvertes de 24 à 48 heures pour que la toile atteigne sa longueur maximale.
- Si la toile est demeurée ouverte pendant une longue période, celle-ci peut onduler lorsqu'elle est relevée.

GARANTIE

Pour obtenir tous les renseignements sur la garantie, visitez LEVOLOR.com ou appelez le service à la clientèle au 1-800-LEVOLOR ou au 1-800-538-6567.

POUR NOUS JOINDRE

Pour communiquer avec le service à la clientèle de LEVOLOR pour toute question ou préoccupation concernant vos nouvelles toiles, vous pouvez nous joindre au 1-800-LEVOLOR (8 h 30 à 18 h 30 HNE)

www.LEVOLOR.com

PIÈCES ET SERVICES SUPPLÉMENTAIRES

Des pièces supplémentaires ou de rechange peuvent être commandées, ou les toiles peuvent être réparées ou remplacées par notre centre de réparation. Veuillez communiquer avec le service à la clientèle de LEVOLOR sur www.LEVOLOR.com pour obtenir un numéro d'autorisation de retour.

